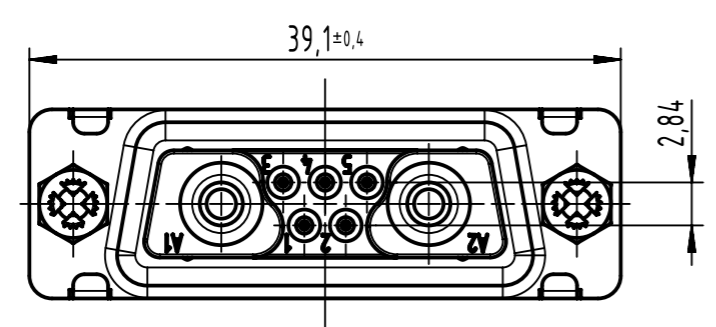
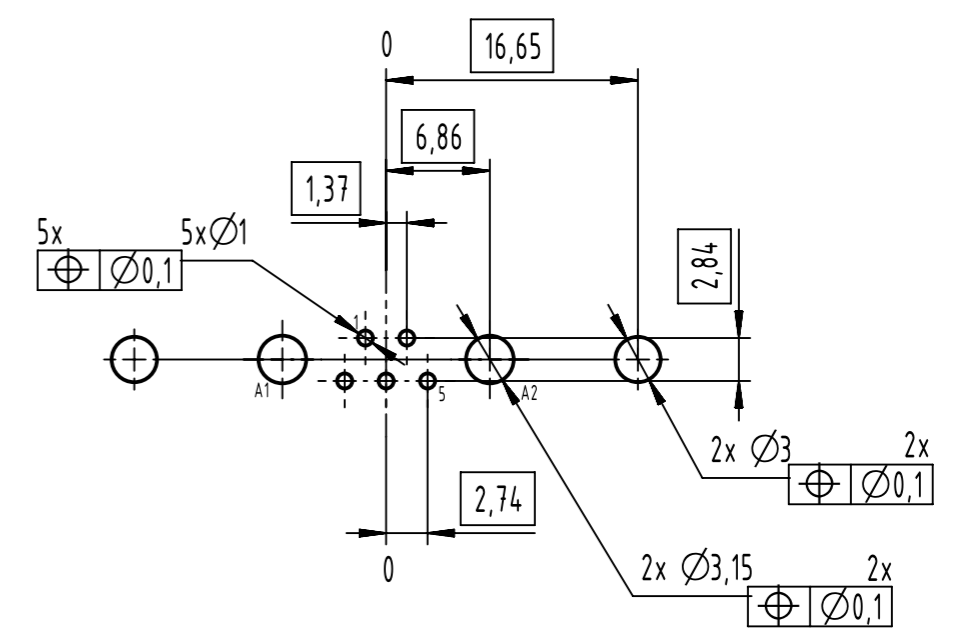


PCB hole pattern mounting side
Recommended thickness 1,6



09692009376	NM30
Part number	Performance level

	All rights reserved Department EL PD	All Dimensions in mm Original Size DIN A3		Scale 2:1	Free size tol.	Ref. Sub.
		Created by ZHUANGJ	Inspected by LUOK	Standardisation ROEBEN	Date 2022-08-19	State Final Release
HARTING D-32339 Espelkamp		Title D-Sub M 7W2 STR MA 20A UNC NM30 BL			Doc-Key / ECM-Nr. 100989550/UGD/000/C 50000223769	
		Type TB	Number 09692009376		Rev. C	Page 1/1